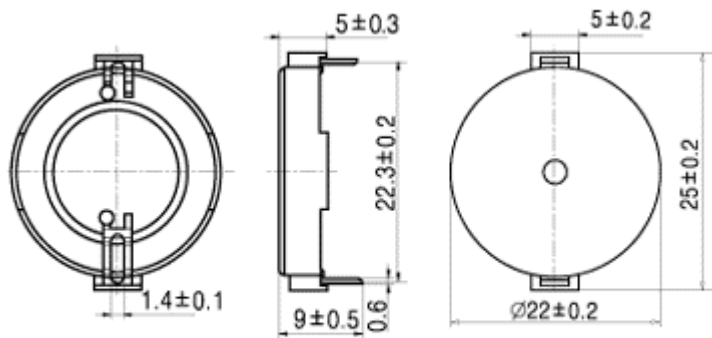




Type	BPT-22B
Rated Voltage(Vp-p,Square wave)	10
Operating Voltage(Vp-p)	1~30
◆Rated Current(mA)	<3
Capacitance at 120Hz(pF)	18000±30%
◆Sound Output at 4KHz,10cm(dB)	>80
◆Resonant Frequency(Hz)	2500 ±500
Operating Temperature(°C)	-20~+85
Storage Temperature(°C)	-30~+90
Weight(g)	1.5



Unit:mm

